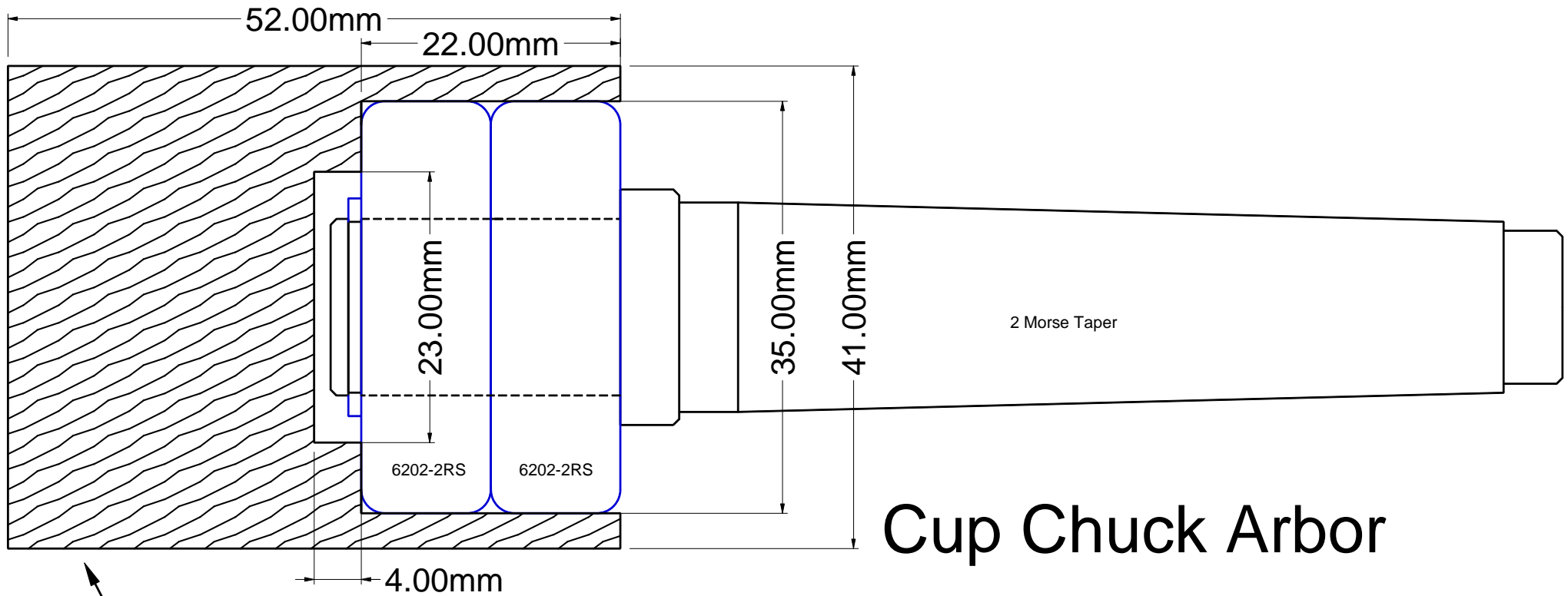


Turn this end to the shape and size you need  
 ( Dome Point or to fit O Rings)



Turn this end to the shape and size you need  
 ( Dome Point or to fit O Rings)